

## LED Lighting - BR30 MOTION SENSOR BULB

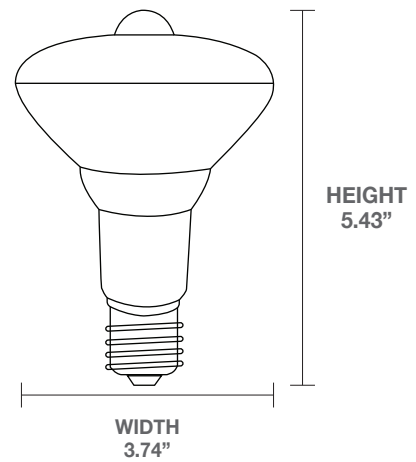
Add security and safety at night with this BR30 motion sensor bulb. The bulb will turn on when it detects motion and turns off after 3 motion-free minutes. You can transform any standard outdoor fixture into a security light with its motion-sensing capability, this indoor/outdoor reflector adds hands-free convenience to your spaces.



### PRODUCT SPECIFICATIONS

<b>Wattage</b>	8W
<b>Incandescent Equivalent</b>	65W
<b>Voltage</b>	120V
<b>Lumens</b>	670
<b>Bulb Shape</b>	BR30
<b>CCT</b>	3000K
<b>CRI</b>	80
<b>Base</b>	E26
<b>Material</b>	Plastic
<b>UL Location Rating</b>	Damp
<b>Rate Life Hours</b>	25000
<b>Dimmable</b>	No
<b>Standard</b>	UL
<b>Warranty</b>	3 Years

### DETAILED DIMENSIONS



### FEATURES

- Instantly illuminates when movement is detected
- For use in indoor/outdoor spaces (hallways, garages, patios)
- Turns off after 3 motion-free minutes

### MODEL INFORMATION

MODEL NUMBER	CASE QTY
8W/BR30/OCC	24

1-877-255-0004 | [info@greenliteusa.com](mailto:info@greenliteusa.com)  
[www.greenliteusa.com](http://www.greenliteusa.com)

V1 - 012725

