



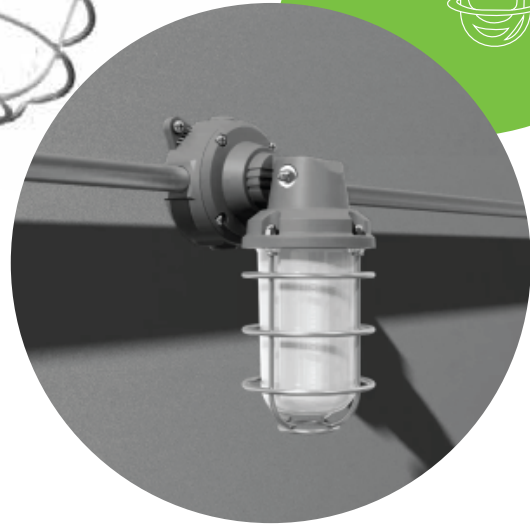
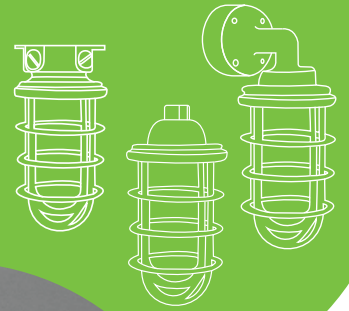
VAPOR TIGHT LED FIXTURE - JELLY JAR LIGHT

Greenlite's Vapor Tight LED fixture is both wattage selectable and CCT selectable and replaces up to 150W MH. This energy efficiency light is made to last with its uniform light distribution and an excellent lumens maintenance rating. Unlike the traditional fixture, achieve ultimate lighting control with an adjustable arm that allows you to pivot the fixture's body from 90 to 180 degrees while retaining its classic design. Install it on the ceiling or wall to tailor the light direction to your preference.





Replaces:



VAPOR TIGHT LED FIXTURE - JELLY JAR LIGHT

Model	Watt Selectable	CCT Selectable	Equivalent	Voltage	Lumens	PF	CRI	Operate Temperature	Dimensions	Weight
T15-30W-10	15W/20W/30W	● ● ●	75W-150W CFL/HID	100-227V AC 50-60 Hz	1500-3300	≥ 0.9	≥ 80	-40-113°F	12.01"x5.71"x4.53"	2.43lb

CONSTRUCTION

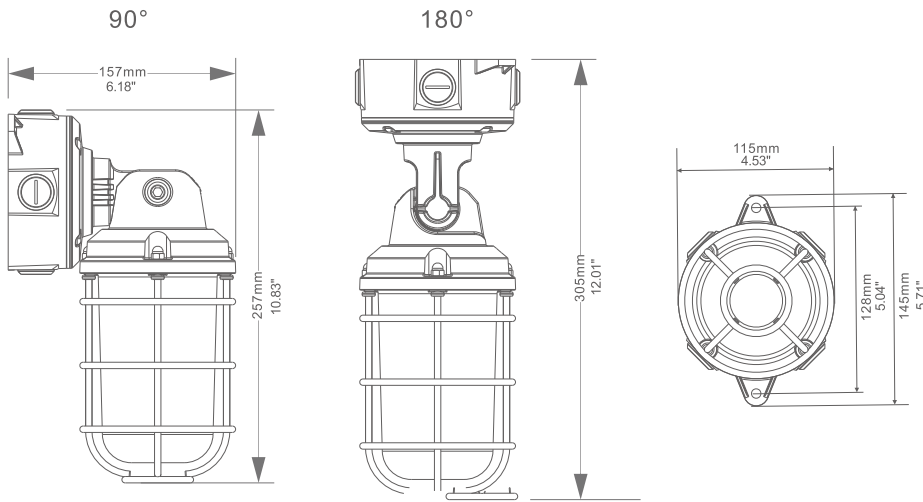
Die-cast aluminum housing secures the thermally conductive LED panel and electrical chamber. Casting thermally conducts LED heat to optimize performance and long life.

INSTALLATION

LED fixture can be mounted on the wall and ceiling by Junction Box Mounting or Conduit Mounting.

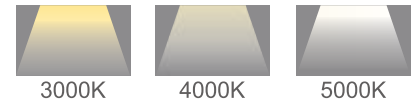
● 2700K ● 3000K ● 4000K ● 5000K

DIMENSIONS



WATTAGE AND CCT SELECTABLE

Wattage	Equivalent
30W	150W MH
20W	100W MH
15W	75W MH



ELECTRIC DATA

Wattage	AC Input Current (A) 120V	AC Input Current (A) 208V	AC Input Current (A) 240V	AC Input Current (A) 277V
30W	0.13	0.07	0.06	0.05
20W	0.17	0.10	0.08	0.07
15W	0.25	0.14	0.13	0.11

LUMEN MAINTENANCE

Operating Hours	Lumen Maintenance Factor
25,000	>0.95
50,000	>0.89
75,000	>0.84
100,000	>0.79

PHOTOMETRIC DIAGRAM

