

LED Lighting - DUSK TO DAWN AND MOTION SENSOR BULB

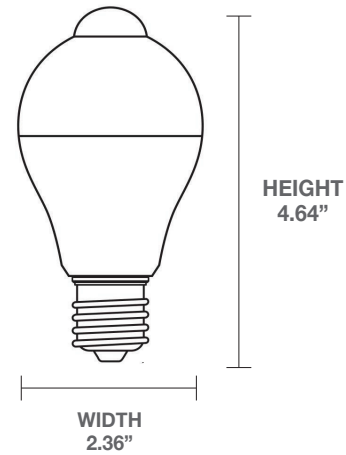
Equipped with built-in sensors, this innovative dusk to dawn LED bulb automatically adjusts to 20% brightness in low light and turns off during the day. It also brightens to 100% when motion is detected, saving 80% energy.








PRODUCT SPECIFICATIONS

Wattage 20%	1.6W
Wattage 100%	8W
Voltage	120V
Lumens 20%	160
Lumens 100%	800
CCT	5000K
CRI	80
Bulb Shape	A19
Base	E26
Material	Plastic
UL Location Rating	Damp
UL Fixture Rating	Fully enclosed
Rate Life Hours	15000
Standard	ETL
Warranty	2 Years

DETAILED DIMENSIONS



FEATURES

- Automatic ON at dusk / OFF at dawn 
- Night mode: 20% brightness, 100% when motion is detected 
- Instantly illuminates when movement is detected 
- For use in indoor/outdoor spaces (hallways, garages, patios) 
- Stays on for 1 minute after last motion is detected 

MODEL INFORMATION

MODEL NUMBER	CASE QTY



1-877-255-0004 | info@greenliteusa.com

www.greenliteusa.com

V1 - 20250123

