



## Water Conservation - HIGH-EFFICIENCY SHOWERHEAD KIT

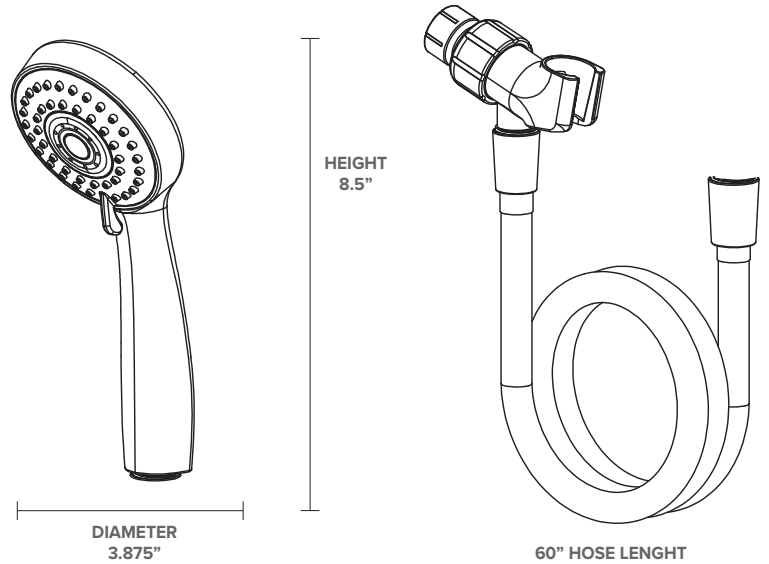
Low flow high-efficiency showerheads use on average less than half the water of a standard showerhead while maintaining a powerful flow. Save water and reduce your electricity bill without compromising the water pressure you are used to!



### PRODUCT SPECIFICATIONS

Flow Rate	1.5 GPM
IP Thread	1/2"
Functions	4 spray settings
Finish	Chrome
Application	Bathroom
Certifications	WaterSense, UPC
Warranty	1 Year

### DETAILED DIMENSIONS



### FEATURES

- Easy to install
- Compatible with the TSV adapter
- Meets ANSI/ASMF A112.18.1M standards
- 4 spray settings: saturated, massage, bubble and combo
- Less stress on your septic system
- Fits most standard shower arms

### MODEL INFORMATION

MODEL	CASE QTY
HSH/CH/4/1.5/BH	24

1-877-255-0004 | [info@greenliteusa.com](mailto:info@greenliteusa.com)  
[www.greenliteusa.com](http://www.greenliteusa.com)

V1-012725

