



Water Conservation - HIGH-EFFICIENCY FIXED SHOWERHEAD - 6 FUNCTIONS

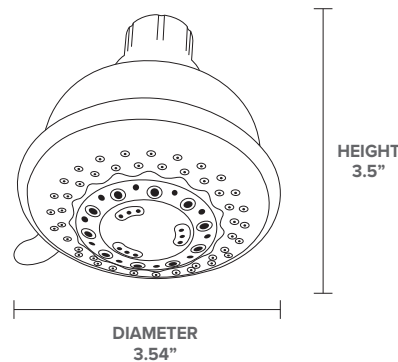
Enjoy a customized shower experience with this 6-function fixed showerhead. Choose from Saturate, Massage, Bubble, Saturate & Massage, Saturate & Bubble, or Pause settings to create your perfect shower. Installation is a breeze, with rubber washers and Teflon thread tape included for a leak-free fit. This showerhead meets ANSI/ASME A112.18.1M standards and is compatible with most standard shower arms, including the TSV adapter to!



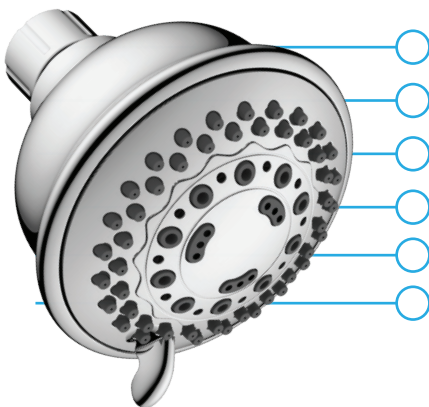
PRODUCT SPECIFICATIONS

Flow Rate	1.5 GPM
IP Thread	1/2"
Functions	6 functions
Finish	Chrome
Application	Bathroom
Certifications	WaterSense, UPC
Warranty	1 Year

DETAILED DIMENSIONS



FEATURES



- Easy to install
- Compatible with the TSV adapter
- Meets ANSI/ASMF A112.18.1M standards
- 6 spray settings: saturate, massage, bubble saturate & massage, saturate & bubble, pause
- Less stress on your septic system
- Fits most standard shower arms

MODEL INFORMATION

MODEL	CASE QTY
SHF/CH/6F/1.5GPM	50

1-877-255-0004 | info@greenliteusa.com
www.greenliteusa.com

V1-121224

