

LED Task Lite

IMPORTANT GENERAL SAFETY INFORMATION

**READ AND FOLLOW SAFETY INSTRUCTIONS
DISCONNECT POWER BEFORE INSTALLATION**

WARNING:

Carefully read and understand the information given in this manual before beginning the assembly and installation. Failure to do so could lead to electric shock, fire, or other injuries which could be hazardous or even fatal.

CAUTION:

To reduce the risk of fire, electric shock, or injury:

- Use only insulated staples or plastic ties to secure cords;
- Route and secure cords so that they will not be pinched or damaged when the cabinet is pushed to the wall;
- Not intended for recessed installation in ceilings, or soffits.

The National Electrical Code (NEC) does not permit cords to be concealed where damage to insulation may go unnoticed. To prevent fire danger, do not run cord behind walls, ceilings, soffits, or cabinets where it may be inaccessible for examination. Cords should be visually examined periodically and immediately replaced when any damage is noted.

Maximum number of units to be interconnected: 20 units

To prevent electric shock, match the wide blade of the plug to the wide slot and fully insert into the outlet.

Pre-Installation

Before beginning assembly, installation, or operation of product, make sure all parts are present. Compare parts with package contents list. If any part is missing or damaged, do not attempt to assemble, install, or operate the product.

If you are unfamiliar with electrical installations, we recommend you contact a qualified electrician to do the installation. Identify the desired location for the LED fixture to make sure the length of the fixture fits.

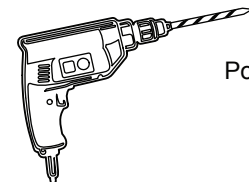
TOOLS REQUIRED



Phillips
screwdriver



Measuring
tape



Power drill

LIMITED WARRANTY:

This fixture is warranted to be free from defects in workmanship and material for 5 years. If it fails to do so, Greenlite™ will, at its election, provide a replacement or equivalent upon receipt of the register receipt and proof of purchase. Please visit www.greenliteusa.com to find out how to initiate a warranty claim. For all customer service queries, please contact our customer service team, Monday-Friday at info@greenliteusa.com or call 1-844-695-9090 from 9:00 AM to 5:00 PM (EST). This limited warranty does not cover fixtures subject to accident, neglect, abuse, misuse or acts of God. Replacement or refund is your sole remedy.

Please see the other side for Installation Instructions

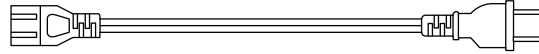
LED Task Lite

INSTALLATION INSTRUCTIONS (Please see the reverse for General Safety Information)

PACKAGE INCLUDES:



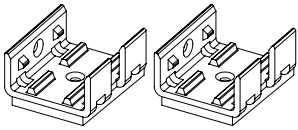
(A) 1x LED Task Lite



(B) 1x 5ft Power Cord



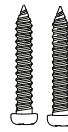
(C) 1x End-to-End Linking Connector



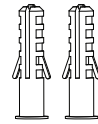
(AA) 2x "U" Mounting Clips



(DD) 2x Double-sided Tape



(BB) 2x Screws

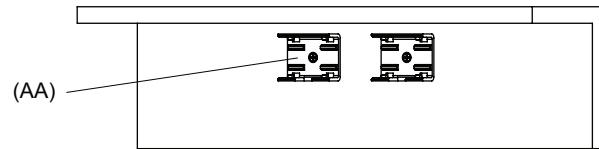
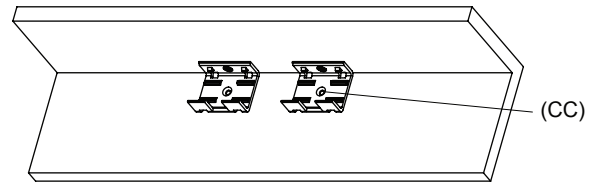


(CC) 2x Drywall Anchors

INSTALLATION

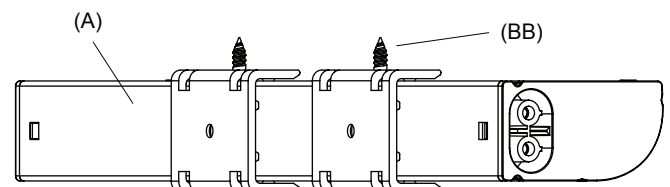
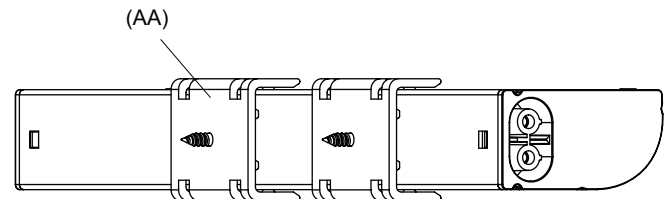
1. Positioning the mounting clips

- Identify and mark the desired location for the light fixture.
- Place the light fixture mounting clips (AA) in the desired location and mark the intended positions of the holes with a pencil.
- For drywall attachment, drill and tap in drywall anchors (CC).



2. Installing the light fixture

- Secure each light fixture mounting clip (AA) in place with the mounting clip screws (BB).
- To secure the fixture (A) in place, press it evenly into the light fixture mounting clips (AA).
- For double-sided tape installation, place the double-sided tape on the mounting clips. Remove the backing of the double-sided tape and press lightly to install on the mounting surface.



Note: Screws must be installed flush with surface.

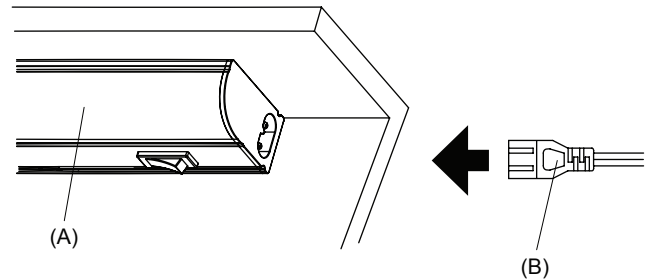
LED Task Lite

INSTALLATION INSTRUCTIONS (Continued)

3. Connecting the power cord

- Connect the power cord (B) to the installed light fixture (A).

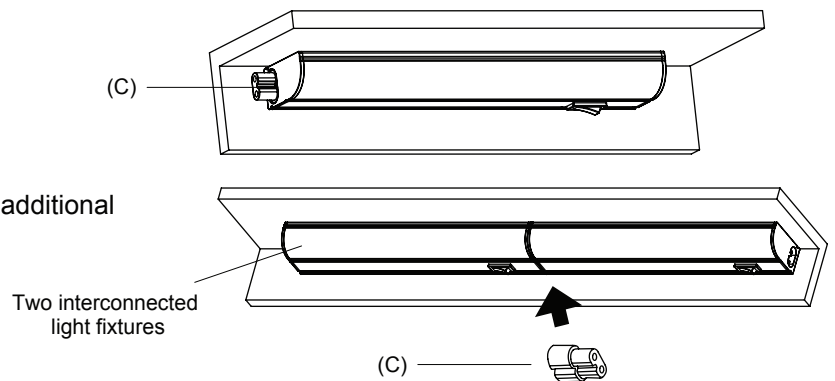
IMPORTANT: Do not plug the power cord into the wall until after connecting to the light fixture.



4. Connecting another light fixture with end-to-end linking connector

- Use the end-to-end linking connector (C) to add additional light fixtures, if desired.

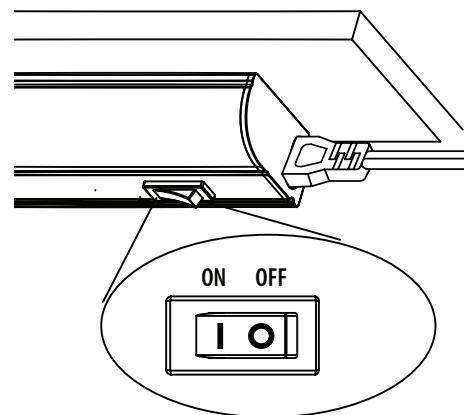
Note: Before connecting the end-to-end linking connector, remove the cover on the other end of the fixture.



5. Operating the light fixture

- Use the switch on the light fixture to turn the lights on and off.

Note: The light fixture connected to the power cord is the main switch. If this is off, each light fixture linked to it will be off.



Care & Cleaning

CAUTION: Before attempting to clean the fixture, disconnect the power to the fixture by turning the breaker off or removing the fuse from the fuse box.

- Clean the fixture with a soft, dry cloth.
- Do not use cleaners with chemicals, solvents, or harsh abrasives.
- Do not use liquid cleaner on the LEDs, LED driver, or wiring inside the light fixture.