



Model NO. 18W/SHOP/1T



LED Shoplite Fixture

General Safety Information (Please see the reverse for Installation Instructions)

READ AND FOLLOW SAFETY INSTRUCTIONS DISCONNECT POWER BEFORE INSTALLATION

To reduce the risk of personal injury or property damage from fire, electric shock, falling parts, cuts/abrasions, and other hazards, read all warnings and instructions included with and on the LED Shoplite box and all LED Shoplite labels.

THIS DEVICE IS NOT SUITABLE FOR USE WITH DIMMERS.
THIS DEVICE IS SUITABLE FOR USE IN DAMP LOCATIONS.

WARNING:

Risk of electric shock or fire. Do not use with an extension cord near water or where water may accumulate. Keep the LED Shoplite at least 16 feet away from pools and spas. Keep the plugs and receptacles dry.

- Turn off the switch and circuit breaker before installing.
- Install directly beneath a ceiling-mounted receptacle.
- Not intended for recessed installation.
- Use only insulated staples or plastic ties to secure the cord.
- Do not install directly over a heat source (stove, etc.)
- Installation should not be made on a radiant-heating ceiling.
- Injury to people and damage to the fixture and/or mounting surface may result if the fixture is pulled from the surface. To reduce the likelihood of such injury or damage, mount only on a mechanically sound surface.
- Do not alter the plug or power supply cord in any way or try to install this product in any other method besides method shown on this sheet.

NOTICE:

This device complies with Part 15 of the FCC Rules. Operation is subject to the following two conditions:

(1) This device may not cause harmful interference, and (2) this device must accept any interference received, including interference that may cause undesired operation.

LIMITED WARRANTY:

This product is warranted to be free from defects in workmanship and material for 3 years. If it fails to do so, Greenlite™ will send you, at its election, a replacement product or refund your original purchase price upon receipt of the returned product, register receipt and proof of purchase. Please visit www.greenliteusa.com to find out how to return the fixture. This limited warranty does not cover fixtures subject to accident, neglect, abuse, misuse or acts of God. Replacement or refund is your sole remedy.

For all enquiries, please contact our customer service team at:
info@greenliteusa.com or 1-877-255-0004 from 9:00 AM to 5:00 PM EST.

Please see the other side for Installation Instructions

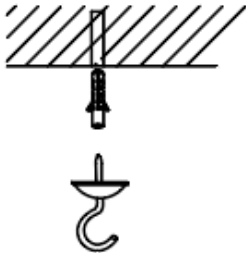
LED Shoplite Fixture

Installation Instructions (Please see the reverse for General Safety Information)

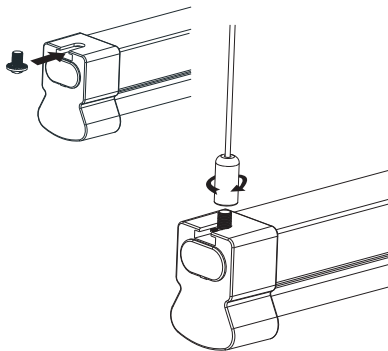
Before beginning assembly, installation, or operation of product, make sure all parts are present. If any part is missing or damaged, do not attempt to assemble, install, or operate the product.

Select a suitable location that can support the weight of the fixture. Determine method of mounting before drilling. Mark two spots on the ceiling $42\frac{3}{4}$ " apart for the mounting hardware.

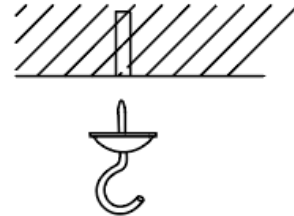
- 1 (A) **Mounting to drywall** Drill a $\frac{1}{4}$ " hole in the ceiling to clear the closed flaps of the toggle bolt. Make sure to fasten the toggle bolt into the butterfly nut before inserting the flaps into the ceiling. Tighten toggle bolt.



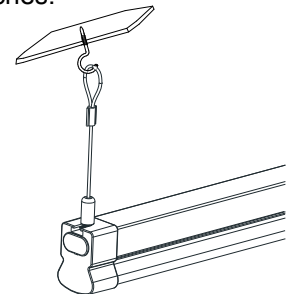
2. **Attaching the Shoplite to the chain** Install one header of chain to the hook on the fixture body. Repeat this step on the other side of the fixture.



- 1 (B) **Mounting to wood** Drill a $\frac{1}{16}$ " diameter pilot hole in the ceiling. Make sure to fasten the combo wood-machine end into the metal hook. Tighten the hook screw into the wood.

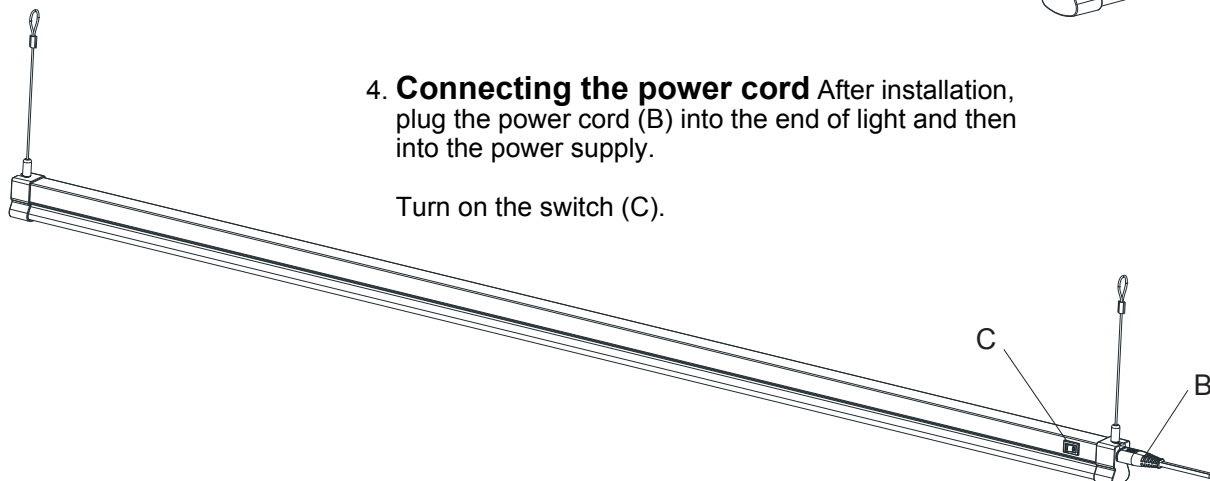


3. **Attaching the chain to the ceiling** Hang the fixture body by placing one chain set over each hook that has been installed on the ceiling. Adjust chains to level light. Hang lamp low enough so that you are able reach the on and off button. The lamp should hang at least 3 inches from the ceiling or maximum height from floor to lamp is 78.75 inches.



4. **Connecting the power cord** After installation, plug the power cord (B) into the end of light and then into the power supply.

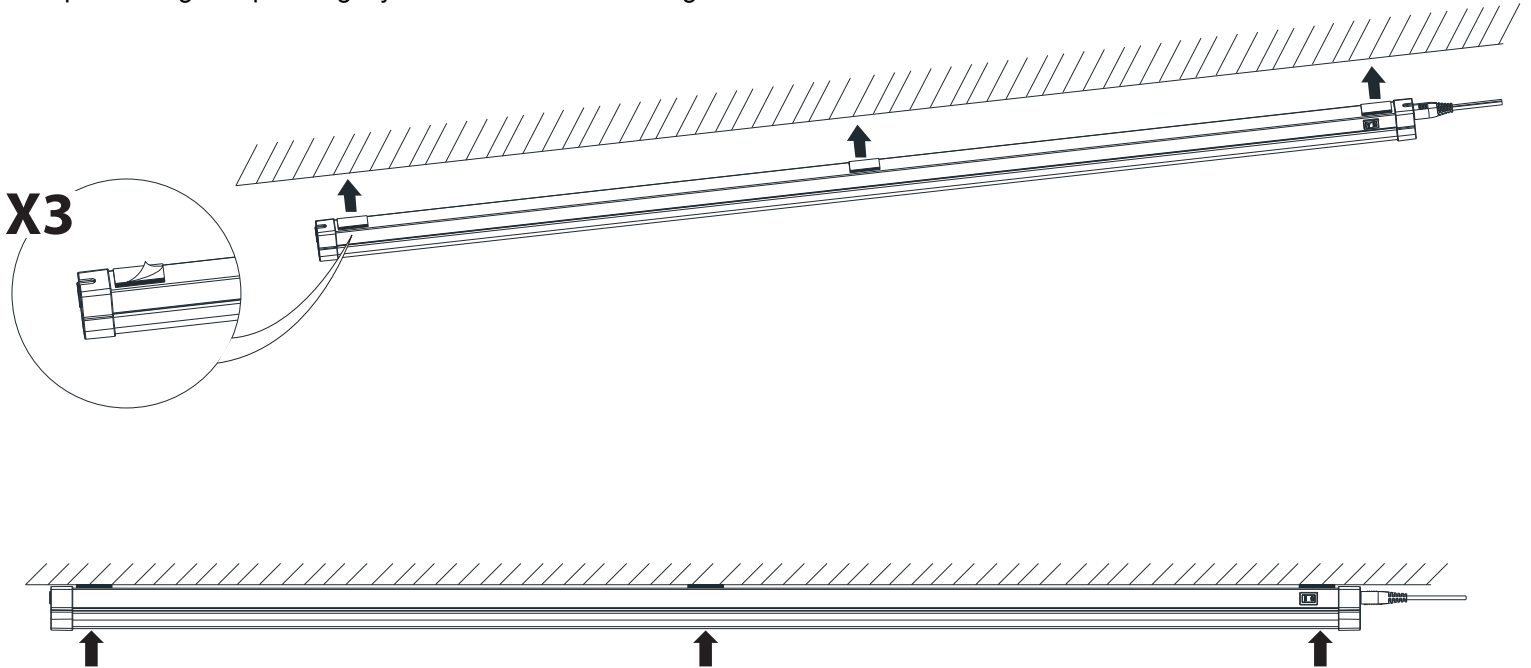
Turn on the switch (C).



LED Shoplite Fixture

Optional Surface Mounting - Installation Instructions

1. **Securing fixture to surface** Place the double sided tape on the LED Shoplite. Remove double sided tape backing and press lightly to install on the mounting surface.



Please check with your local inspector to insure this mounting method meets local requirements.

Care & Cleaning

CAUTION: Disconnect the power before attempting to clean the fixture. Greenlite's LED Shoplite is manufactured from quality materials that last many years with minimum care. It is recommended to periodically clean the diffuser and the interior of the fixture using a mild, non-abrasive glass cleaner and a soft cloth. **DO NOT use solvents or cleaners containing abrasive agents.**

LIMITED WARRANTY:

This product is warranted to be free from defects in workmanship and material for 3 years. If it fails to do so, Greenlite™ will send you, at its election, a replacement product or refund your original purchase price upon receipt of the returned product, register receipt and proof of purchase. Please visit www.greenliteusa.com to find out how to return the fixture. This limited warranty does not cover fixtures subject to accident, neglect, abuse, misuse or acts of God. Replacement or refund is your sole remedy.

For all enquiries, please contact our customer service team at:

info@greenliteusa.com or 1-877-255-0004 from 9:00 AM to 5:00 PM EST.